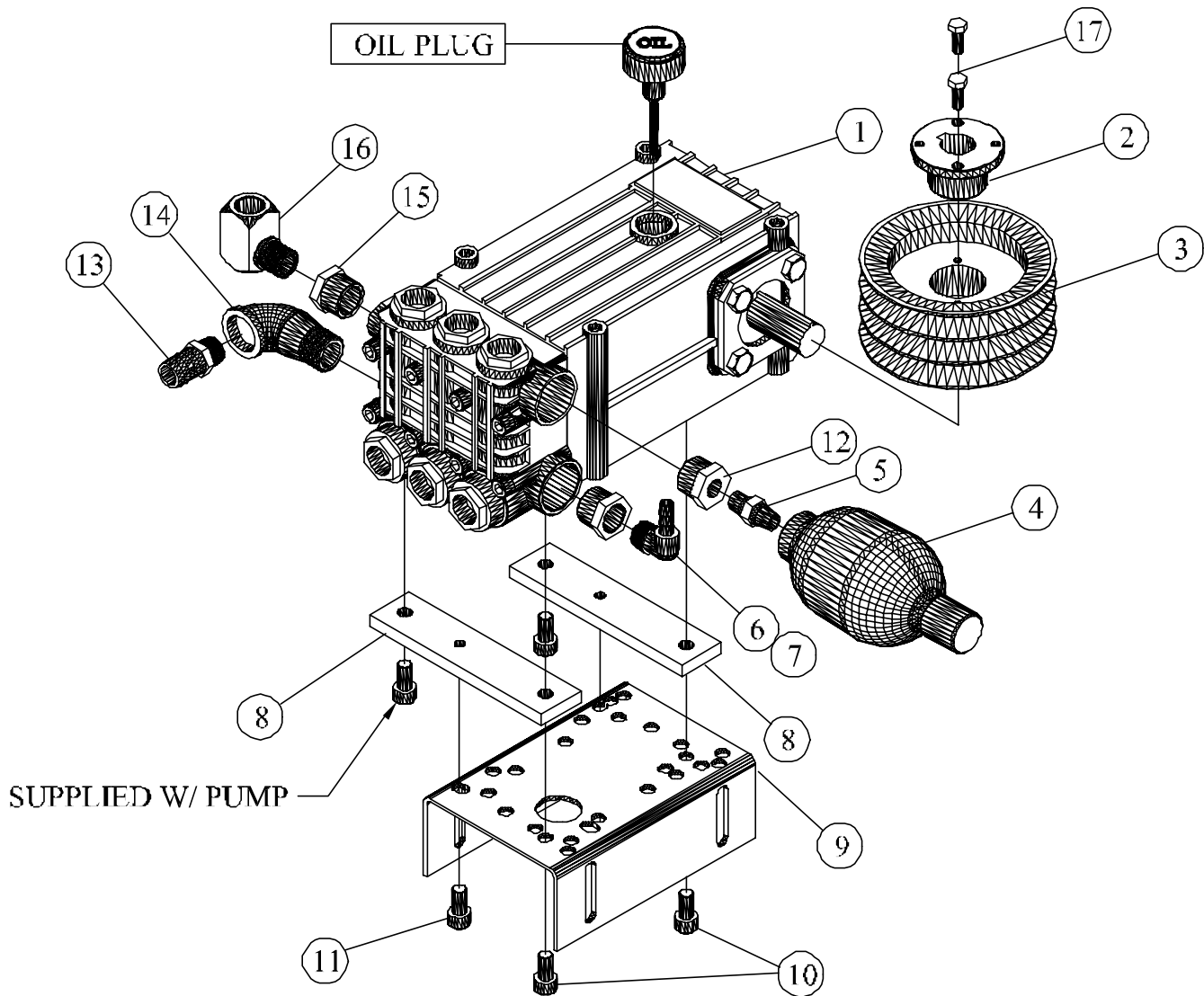


JENNY PRODUCTS INC.
 1510-C, GES, 460/60/3, N/C., LWC, ELECT-IGN

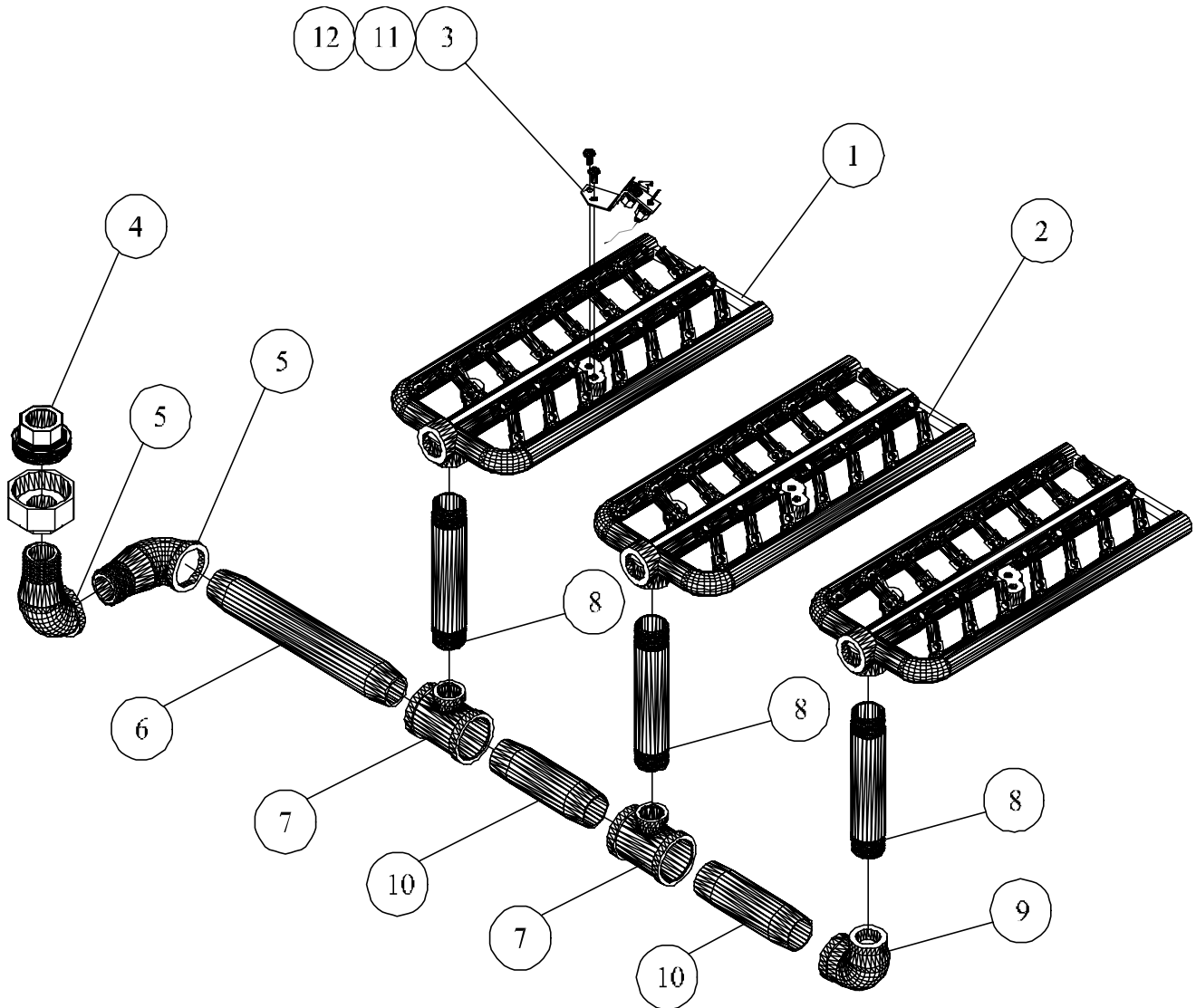
| 1510-C, GES, LWC, ELECT-IGN | | | |
|------------------------------------|---|-------------|-----------------|
| 230/60/3, N/C, LWC | | | |
| PARTS LIST | | | |
| Note: Figure 20- (Common Parts) | | | |
| Electrical Dia. File: Jw 307 | | | |
| ITEM NO. | DESCRIPTION | QTY. | PART NO. |
| 1 | CHASSIS, MODULE, MOTOR-PUMP, GES, LES | 1 | JD8500 |
| 2 | CHASSIS, MODULE, COIL, STL, PNTD, 1510, GES, D-SIZE | 1 | JD8503 |
| 3 | CASING, COIL, ASSY, STEEL, 3100, GES, D-SIZE | 1 | JP5506-A |
| 4 | COVER, ACCESS, CASING, COIL, GES, 1600-4800 | 1 | JP5314-01 |
| 5 | LEGS, STATIONARY, STEEL, PAINTED, GES | 4 | JD8507 |
| 6 | LEG, ADJUSTABLE, FRONT, STEEL, PAINTED, GES | 1 | JD8508 |
| 7 | LEG, ADJUSTABLE, REAR, STEEL, PAINTED, GES | 1 | JD8509 |
| 8 | PANEL, SUPPORT, COVER, REAR, STL, PAINTED, GES | 1 | JD8510 |
| 9 | PANEL, SIDE, MODULE, CHASSIS, MTR, PMP, ST, GES | 1 | JD8515 |
| 10 | BRACKET, SUPPORT, BURNER, ST, SJ 300, GES, D-SIZE | 2 | JD8519 |
| 11 | SHIELD, HEAT, BURNER, ST, PAINTED, SJ300, GES, D-SIZE | 1 | JD8522 |
| 12 | COVER, SS, ASSY, NEW, GES | 1 | JD8523 |
| 13 | INSULATION, CERAMIC, 44"X88"X1"THK | 1 | JD3086 |
| 14 ASSY SEE FIG 1-5 | TANK, FLOAT, SS, LARGE, BOLT-ON, GES | 1 | JD8524 |
| 15 ASSY SEE FIG 1-6 | FLOAT, VALVE, ASSY | 1 | JD3013 |
| 16-A | MOTOR, 10HP, 230-480/60/3, 1725RPM, TEFC, F2, CF 208V | 1 | JB3019 |
| 16-B | MOTOR, 10HP, 575/60/3, 1725RPM, TEFC, F2, CF | 1 | JB3020 |
| 17 | PULLEY, CI, DG, TH, 3BK47H, 3.7PDA, 4.1PDB | 1 | JD3904-55 |
| 18 | BUSHING, PULLEY, TAPERED, 1-1/8"BORE, MOTOR | 1 | JD3915-04 |
| 19 | CONNECTOR, RELIEF, STRAINER, .700-.950, 1NPTM | 1 | JD1687-19 |
| 20 | WIRE, SO, CPE, BLACK, 8/4 | 1.5 | JE 479 |
| 21 ASSY SEE FIG. 20-2 | SWITCH, PRESSURE, W/BRACKET, WELDED, LWCO | 1 | JP7731 |
| 22 ASSY SEE FIG 1-3 | MANIFOLD, FITTING, VALVE, 1510-C, ASSY, GES | 1 | JD8230 |
| 23 | BELT, VEE, COG, BX40 | 3 | JD3959-10 |
| 24 ASSY SEE FIG. 20-1 | VALVE, SOLUTION, SOLENOID, 24V, 1/4NPT | 1 | JD2162-F |
| 25 | HOSE, HYD, 3K, PSI, 23" L, 1/2 NPTM, 1/2NPTM | 1 | JD7983 |
| 26 ASSY SEE FIG 1-1 | PUMP, MOUNTING & FITTING, ASSY, HPW1510, GES | 1 | JD8318 |
| 27-A ASSY SEE FIG 1-4A | CONTROL, INLET, BURNER, NAT, ASSY, HPW1510, GES | 1 | JD7881 |
| 27-B ASSY SEE FIG 1-4B | CONTROL, INLET, BURNER, LP, ASSY, HPW1510, GES | 1 | JD7886 |
| 28 ASSY SEE FIG 1-2 | MANIFOLD, BURNER, ASSY, HPW1510, GES | 1 | JD7880 |
| 29 ASSY SEE FIG 1-7 | BOX, JCT, PANEL, FRONT, 230-460/3 PH, 12-37 AMP | 1 | JE2013 |
| 30 ASSY SEE FIG 1-8 | PLATE, COVER, PANEL, CONT, BOX, JCT, COMBO, GES | 1 | JD8514 |
| 31 | HOSE, HYD, 3K PSI, 102", 1/2 NPTM SWI, 3/8 NPTM | 1 | JD7982 |
| 32 | COIL,GAS,FIRED,1/2" PIPE,SCH80,HPW1510 | 1 | JP5608-A |
| 33 | TEE, FEMALE, STEEL, PLATED, 1/2NPT | 1 | JD3734-01 |
| 34 | CLAMP, HOSE, NYLON, BLACK, .406/.468 DIA. | 2 | JD7859-A |
| 35 | BUSHING, REDUCER, HEX, STEEL, PLATED, 1/2X3/8 | 1 | JD2599 |
| 36 | ELBOW, ST ,PLTD, 90DEG, FEM, 1/2X1/2 | 1 | JD 692 |
| 37 | THERMOSTAT, IMMERSION, SP, ST, NC, 340, DEG | 1 | JD7137-A |
| 38 | RING, CASING, COIL, SS, 28-1/20.D.X 11-15/16 I.D. | 1 | JD3072 |
| 39 | MOLDING, RUBBER, FOAM, ADHESIVE, 1/2WX1/8T | 4.166 | JD3782-B |
| 40 | CLAMP, SLEEVE, PLASTIC, 3/8I.D. | 6 | JD2759 |
| 41 | SCREW, SLF TAP, PHILLIP, STEEL, 8-32 X 3/8 | 12 | JD3043 |
| 42 | SCREW, PHILLIPS, HEAD, "N", COVER | 10 | JP7733 |
| 43 | RETAINER, SCREW, PHILLIPS, HEAD, "N" | 10 | JP7733-02 |
| 44 | RECEPTACLE, CLIP-ON, STEEL, DACROTIZED | 10 | JP7733-01 |
| 45 | CLAMP, WIRE, IGNITION, STAND OFF | 1 | JD7001 |
| 46 | GROMMET,RUBBER,BLACK,7/8"DIAMETER | 7 | JD3385 |
| 47 | GROMMET, RUBBER, BLACK, 7/16" DIAMETER | 5 | JD3385-01 |
| 48 | CLAMP, CABLE, NYLON, 3/8" | 3 | JD6055 |
| 49 | GROMMET, RUBBER, BLACK1-13/16" DIAMETER | 2 | JP 675 |

| | | | |
|----------------------|--|-----|-----------|
| 50 | STRAINER, CHEMICAL, BRASS, 1/4" HOSE BARB | 1 | JD7140-A |
| 51 | TUBING, PVC, CLEAR 3/8"OD X 1/4ID | 7.1 | JD3087 |
| 52 | SCREW, FLANGE, HEX, SERR, ST, PL, 1/4-20 X 1/2 | 24 | JD7904-A |
| 53 | BOLT, ELEVATOR, STEEL, PLATED, 3/8 X 2-1/2, 1 HD | 2 | JD7906-G |
| 54 | SCREW, FLANGE, HEX, SERR, STL, PLATED, 5/16-18 X 1/2 | 2 | JD7905 |
| 55 | SCREW, FLANGE, HEX, STL, PLATED, 3/8-16 X 3/4 | 34 | JD7906-A |
| 56 | NUT, LOCK, FLANGE, HEX, SERR, STL, PLATED, 3/8-16 | 18 | JD7774-F |
| 57 | J-BOLT, 3/8-16X4 | 2 | JP7182 |
| 58 | CLAMP, GEAR, WORM, SS, 11/16 TO 1-1/4 DIA | 4 | JD1229 |
| 59 | SCREW, CAP, HEX, STL, PLATED, FLT, 3/8-16 X 2-1/4 | 2 | JD7035 |
| 60 | NUT, LOCK, FLANGE, HEX, SERR, STL, PLATED, 1/4-20 | 2 | JD7774-D |
| 61 | SCREW, SLF, DRL, PHILLIP, ST, PLTD, #8 X 1/2 | 4 | JD6050 |
| 62 | SCREW, SLF DRL, HEX, WASHER, PLATED, #10 X 5/8 | 8 | JD7074-A |
| 63 | SCREW, CARRIAGE, GRS, STL, PLATED, 3/8 X 6 | 2 | JD7798 |
| 64 | HOSE, RUBBER, BLACK, 3/4" | 3 | JE 558 |
| 65 | LUG, TERMINAL, COPPER, 3/16 BOLT, 6-14 GAUGE | 1 | JD6152 |
| 66 | PLATE, NAME, ALUM, PRINT, BLACK, 4X4 | 1 | JD3456 |
| 67 | TAG, WARNING, WATER, TRAP, GAS, FIRED, UNIT | 1 | JD7207 |
| 68 | TAG, WARNING, GAS, PRESSURE, | 1 | JD3097 |
| 69 ASSY SEE FIG 1-10 | GUN, SCH 80, N/C, W/O, SWIVEL, ASSY, 1-2" INLET | 1 | |
| 70 ASSY SEE FIG 1-9 | NOZZLE, STEAM, ASSY | 1 | |
| 71 | HOSE, COMBINATION, JENNY, 1/2" X 50' | 1 | JD7624-C |
| 72 | NOZZLE, SPRAY, PSI, SS, QCK CON, 0 DEG, 0#18.0 | 1 | JD6022 |
| 73 | NOZZLE, SPRAY, PSI, SS, QCK CON, 15 DEG, 0#18.0 | 1 | JD6023 |
| 74 | NOZZLE, SPRAY, PSI, SS, QCK CON, 25 DEG, 0#18.0 | 1 | JD6024 |
| 75 | NOZZLE, SPRAY, PSI, SS, QCK CON, 40 DEG, 0#18.0 | 1 | JD6025 |
| 76 | WASHER, LOCK, SPLIT, STEEL, PLATED, 1/2" | 4 | JD 615 |
| 77 | WASHER, FLAT, SERIES "N", STEEL, PLATED, 1/2 | 4 | JD7028 |
| 78 | SCREW, CAP, HEX, HD, STL, PLATED, 1/2-13 X 1" | 4 | JD1165 |
| 79 | NUT, SPEED, TINNERMAN, 1/4-20 | 2 | JD7042 |
| 80 | HOSE, RUBBER, GARDEN, HOSE, 5/8" | 1 | JL 146 |
| 81 | CLAMP, HOSE, GEAR, WORM, SS, 9/16 TO 1-1/16 DIA. | 2 | JD1229-A |
| 82 | DECAL, ALL, 1510-C, BLUE, LARGE | 1 | JD8474 |
| NOT SHOWN | DECAL, DANGER, WARNING, CAUTION, LARGE | 3 | JD7239 |
| NOT SHOWN | DECAL, WARNING, VALVE, TURN-OFF | 1 | JD6155-A |
| NOT SHOWN | DECAL, NOTICE, GROUND, 4MILTHK, 5YRWHT | 1 | JD2344-01 |
| NOT SHOWN | DECAL, MADE-IN-THE-USA, JENNY | 1 | JD6211 |
| NOT SHOWN | DECAL, PACKED, GROOMED, TESTED | 1 | JD6013 |
| NOT SHOWN | DIVERTER, DRAFT, VERTICAL, 12" | 1 | JD3073 |



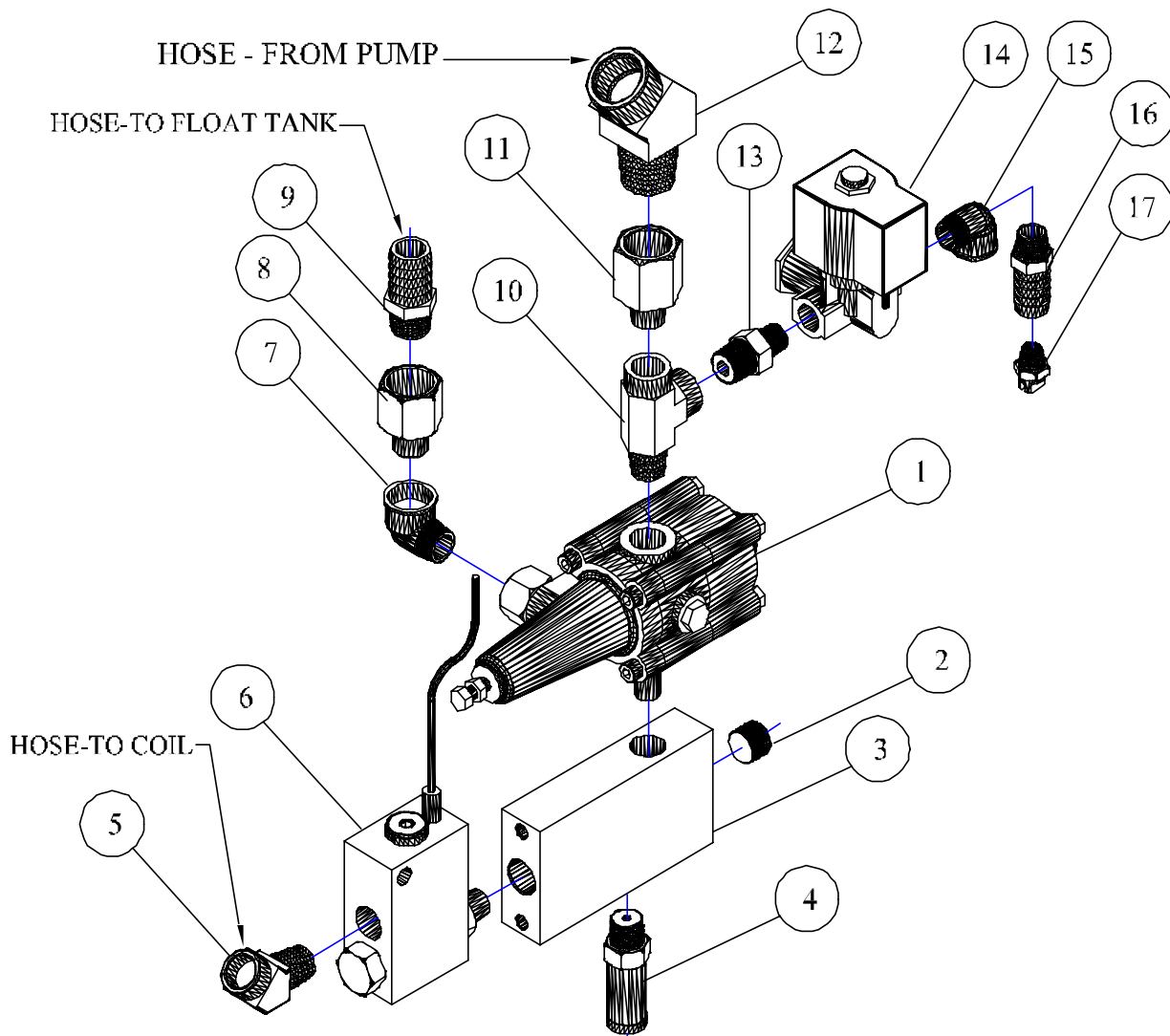
| ITEM NO. | QTY. | DESCRIPTION | PART NO. |
|----------|------|---|-----------|
| 1 | 1 | PUMP, PLUNGER, TRIPLEX, 2500PSI, 10.0GPM,GIA | JD7457 |
| 2 | 1 | BUSHING,PULLEY,TAPERED,28MM,BORE | JD3915-14 |
| 3 | 1 | PULLEY,CI,TG,TH,3BK55H,4.7PDA,5.1DB | JD3904-76 |
| 4 | 1 | ACCUMULATOR,BLADDER,3000#,700# CHARGED | JD7646-G |
| 5 | 1 | NIPPLE,HEX,STEEL,PLATED,3/8 NPT X 3/8 NPT | JD3716-01 |
| 6 | 1 | BUSHING,REDUCER,HEX,BRASS,3/4 X 3/8 | JD3114 |
| 7 | 1 | BARB,HOSE,MALE,BRASS,1/4HS X 3/8NPTM | JD7871 |
| 8 | 2 | PAD,MOUNTS,PUMP,GAINT, | JD8532 |
| 9 | 1 | PLATE,MOUNTING,PUMP,STEEL,PAINTED | JD8016 |
| 10 | 2 | SCREW,CAP,SOCKET,HD,STL,PLTD,M10-1.5 X30 MM | JD3797-A |
| 11 | 2 | SCREW,CAP,HEX,HD,ST,PL 3/8-16-X 1/2 | JD 560 |
| 12 | 1 | BUSHING,REDUCER,HEX,STEEL,3/4X 3/8 | JD 990-02 |
| 13 | 1 | BARB,HOSE,MALE,BRASS,3/4HS X 3/4NPTM | JD3855 |
| 14 | 1 | ELBOW,STREET,BRASS,3/4 NPT | JD7988 |
| 15 | 1 | BUSHING,REDUCER,HEX,STEEL,PLATED,3/4 X 1/2 | JD7627 |
| 16 | 1 | ELBOW,STREET,STEEL,PLATED, 1/2 NPT" | JD3717 |
| 17 | 2 | H.H.B.1/4-20 X 3/4 L - CLASS 5 SUPPLIED W/BUSHING | |

FIGURE 1-1 (Pump, Mounting, Fitting, JD8318, 1510-C, Ass'y)



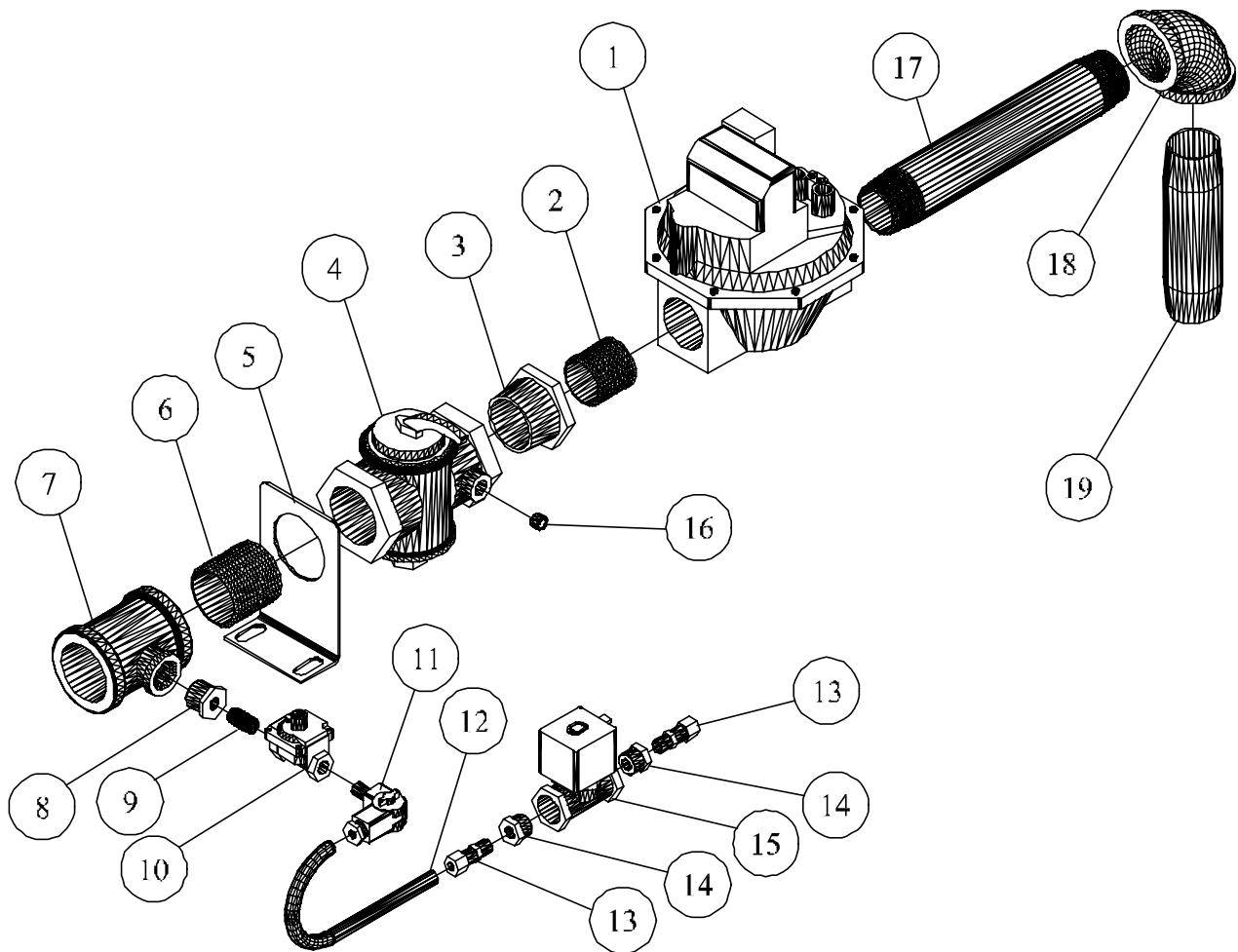
| ITEM NO. | QTY. | DESCRIPTION | PART NO. |
|----------|------|--|-----------|
| 1-A | 3 | BURNER, NAT, #640 JETS, 0#48, U-29 | JD3128-B |
| 1-B | 3 | BURNER, LP, #640 JETS, 0#56, U-29 | JD3229 |
| 2-A | 84 | JET, BURNER, GAS, NATURAL #48 | JD3129-A |
| 2-B | 84 | JET, BURNER, GAS, LP, BRASS #56, .047 | JD2360 |
| 3-A | 1 | PILOT, BURNER, NAT, Q314B1019 | JD2359-01 |
| 3-B | 1 | PILOT, BURNER, LP, Q314B1019 | JD2359-02 |
| 4 | 1 | UNION, FEMALE, MI, 150#, BRZ-IR SEAT, 1-1/4 | JD1294 |
| 5 | 2 | ELBOW, STREET, MI, 150#, 1-1/4 NPT | JD1013 |
| 6 | 1 | NIPPLE, STEEL, SCH40, 1-1/4NPTX9LONG | JD3466 |
| 7 | 2 | TEE, FEMALE, MI, 150#,1-1/4 X1-1/4 X3/4 | JD1274 |
| 8 | 3 | NIPPLE, STEEL, SCH 40, 3/4NPT X 5 LONG | JD1219 |
| 9 | 1 | ELBOW, FEMALE, MI, 1-1/4 NPT X 3/4 NPT | JD 993 |
| 10 | 2 | NIPPLE, STEEL , SCH 40, 1-1/4 NPT X 5-1/2 LONG | JD3074 |
| 11 | 1 | SENSOR, IGNITOR, W/MT-BRKT&HDWARE, 60"LEAD | JP7694-D |
| 12 | 1 | BRACKET, U-29, BURNER | JD8528 |

FIGURE 1-2 (Burner, Gas, Natural, JD7880,1510-C, Ass'y)



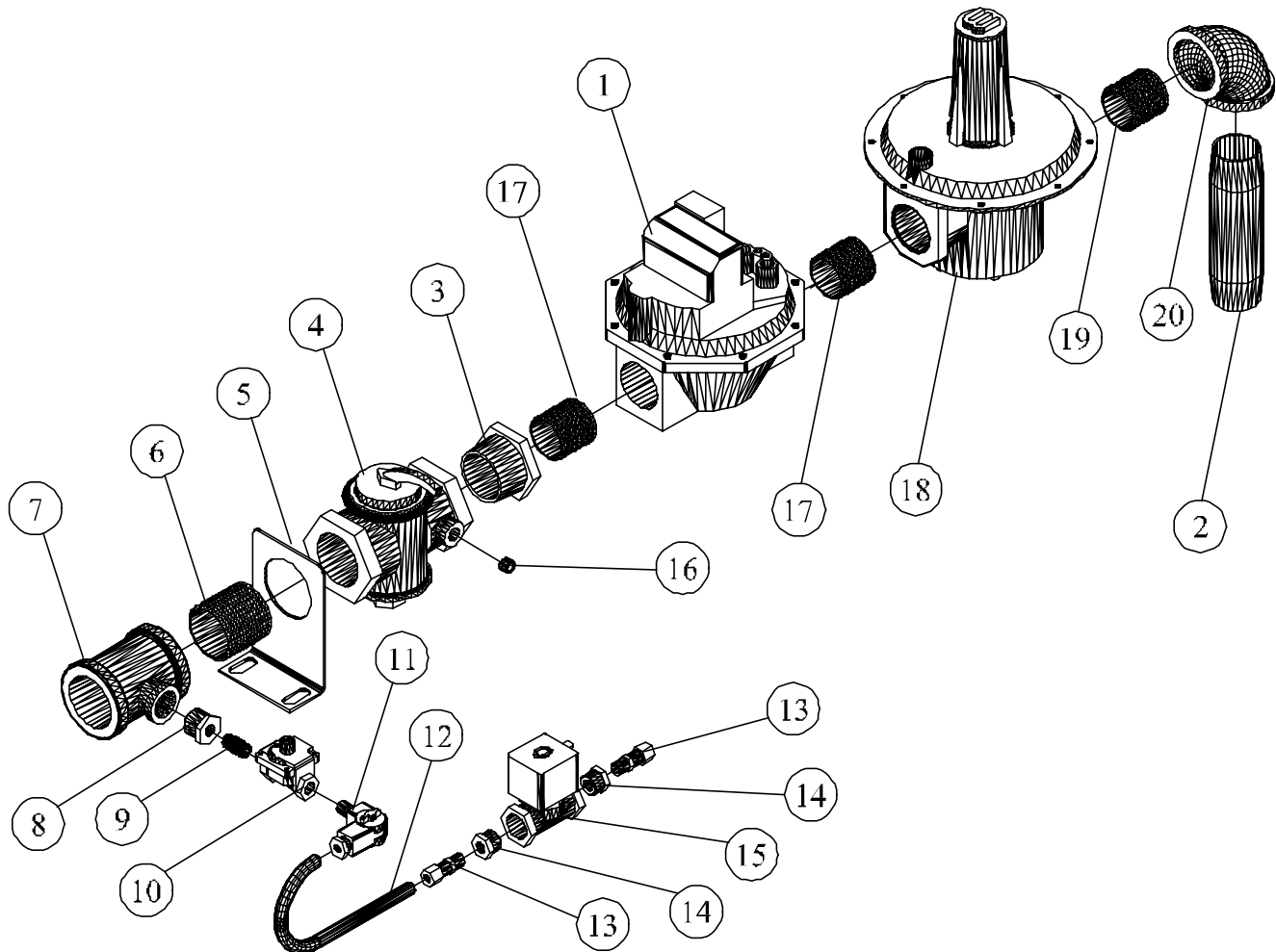
| ITEM NO. | QTY. | DESCRIPTION | PART NO. |
|----------|------|---|-----------|
| 1 | 1 | VALVE, UNLOADER, FLW, ACT, 0-3000PSI, 6.6-10.8S | JD3325-S |
| 2 | 1 | PLUG, SOCKET, HEX, BRASS, 3/8 NPT | JD7151 |
| 3 | 1 | MANIFOLD, FITTING, STEEL, PLATED | JP7716 |
| 4 | 1 | VALVE, RELIEF, 2400-3000 PSI, 160F, 3/8NPTM | JD7048-A |
| 5 | 1 | ELBOW, STREET, 45 DEG, STEEL, PLATED, 3 8 NPT | JD1678 |
| 6 | 1 | SWITCH, FLOW, SP, STEEL, NO, 3/8 NPT, 18GPM, 4000# | JD7882 |
| | | REPLACEMENT, SWITCH, REED, ASSY, FLO-SWITCH, 18GPM, GEN | JD7882-01 |
| 7 | 1 | ELBOW, STREET, BRASS, 3/8 NPT x 3/8 NPT | JD3117 |
| 8 | 1 | ADAPTER, EXPANDING, BRASS, 3/8M X 1/2F | JD6224-06 |
| 9 | 1 | BARB, HOSE, MALE, BRASS, 3 4 HS x 1/2 NPT | JE 554-02 |
| 10 | 1 | TEE, STREET, STEEL, PLATED, 3/8" NPT | JD 860-02 |
| 11 | 1 | ADAPTER, EXPANDING, STEEL, PLATED, 3/8 M x 1/2 F | JD6224-01 |
| 12 | 1 | ELBOW, STREET, 45 DEG, STEEL, PLATED, 1 2 NPT | JD7992 |
| 13 | 1 | NIPPLE, HEX, STEEL, PLATED, 1 4NPTM X 3/8 NPTM | JD 732-03 |
| 14 | 1 | VALVE, SOLENOID, BYPASS, 24V, 1/4NPT | JD3063-E |
| 15 | 1 | ELBOW, REDUCER, BRASS, STREET, 90DEG, 3/8F X 1/4M | JD7825 |
| 16 | 1 | BARB, HOSE, MALE, BRASS, TAPPED, 1/4, 5/8HS X 3/8 | JP6898 |
| 17 | 1 | NOZZLE, SPRAY, PSI, WASH, SS, 1/4 MEG - 2515 | JD3691 |

FIGURE 1-3 (Manifold, Valve, Fitting, JD8230, 1510-C, Ass'y)



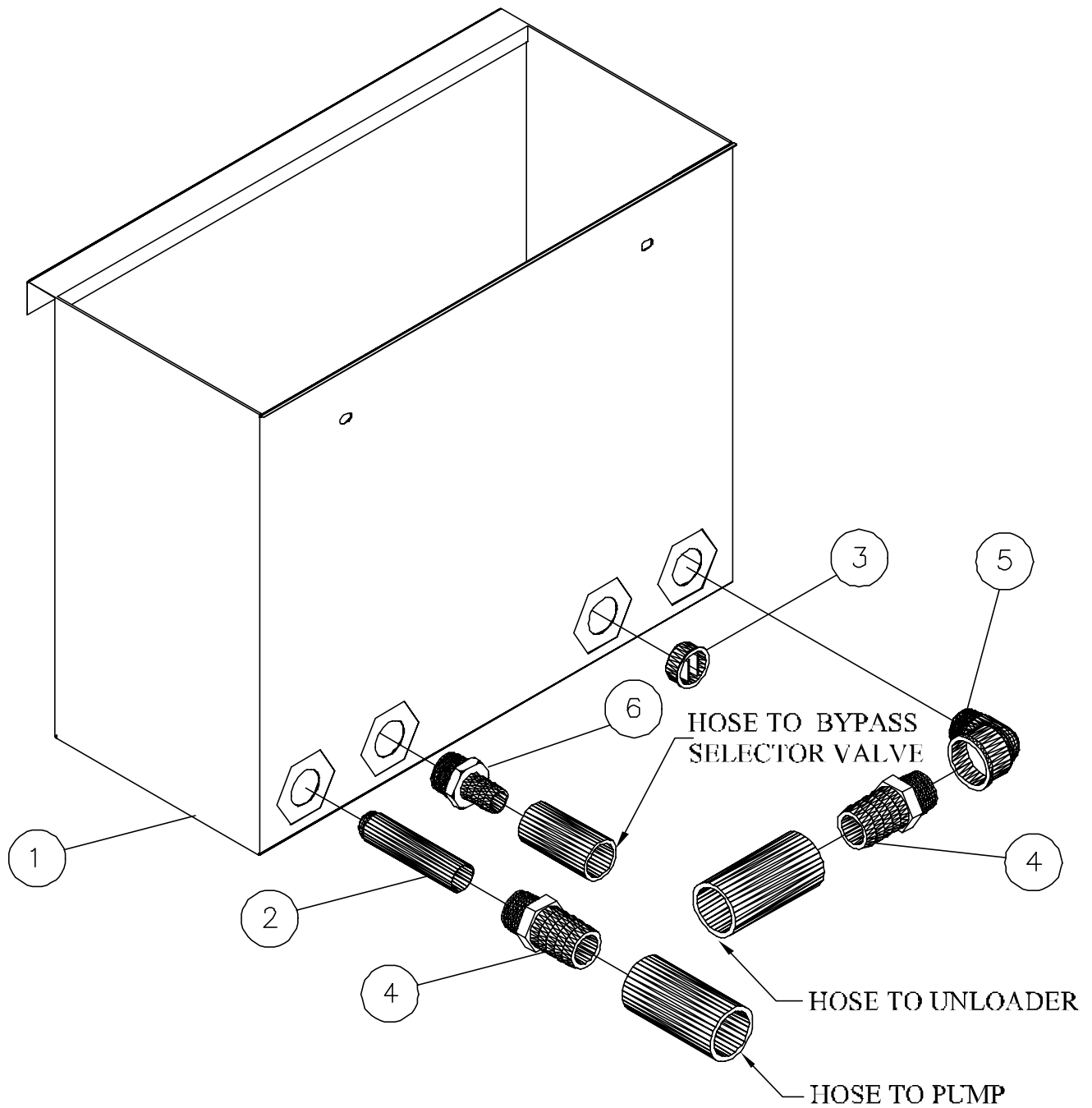
| ITEM NO. | QTY. | DESCRIPTION | PART NO. |
|----------|------|---|-----------|
| 1 | 1 | VALVE, SOLENOID, NAT, 24VAC, 1-1/4" | JD3845-K |
| 2 | 1 | NIPPLE, CLOSE, STEEL, SCH40, 1-1/4" NPT | JE 886 |
| 3 | 1 | BUSHING, REDUCER, HEX, MI, 1-1/2" X 1-1/4" | JD3075 |
| 4 | 1 | COCK, VALVE, GAS, WITH HANDLE, 1-1/2" NPT | JP1496-A |
| 5 | 1 | BRACKET, MANIFOLD, GES, 4800 | JD8525 |
| 6 | 1 | NIPPLE, CLOSE, STEEL, SCH 40, 1-1/2"NPT | JD1243 |
| 7 | 1 | TEE, FEMALE, MI, 150#, 1-1/2" X 1-1/2" X 1/2 | JD3076 |
| 8 | 1 | BUSHING, REDUCER, HEX, BRASS, 1/2 X 1/8 | JD6243 |
| 9 | 1 | NIPPLE, CLOSE, STEEL, SCH 80, 1/8" NPT | JD2167 |
| 10 | 1 | REGULATOR, GAS, PILOT, NAT, 3-6", RV10, 1/8" | JD6008 |
| 11 | 1 | VALVE, PILOT, SHUTOFF, BRASS, 1/8 NPT M X1/4 TUBE | JP2510-05 |
| 12 | 1 | TUBING, ALUMINUM, 1/4 O.D. X .032 WALL | JD1820 |
| 13 | 2 | CONNECTOR, MALE, COMPRESSION, BRASS, 1/4"BX1/8 | JD3780-A |
| 14 | 2 | BUSHING, REDUCER, HEX, BRASS, 3/8 X 1/8 | JD3092 |
| 15 | 1 | VALVE, SOLENOID, GAS, 24V, 3/8 NPT | JP3731-B |
| 16 | 1 | PLUG, SOCKET, HEX, BRASS, 1/8 NPT | JD7243 |
| 17 | 1 | NIPPLE, STEEL, SCH 40, 1/1/4 NPT X 9 LONG | JD3466 |
| 18 | 1 | ELBOW, FEMALE, MI, 150#, 1-1/4 X 1-1/4 | JE 888 |
| 19 | 1 | NIPPLE, STEEL, SCH 40, 1-1/4 NPT X 5-1/2 LONG | JD3074 |

FIGURE 1-4A (Control, Burner, Nat. Gas Inlet, JD 7881, 1510 - C, Ass'y)



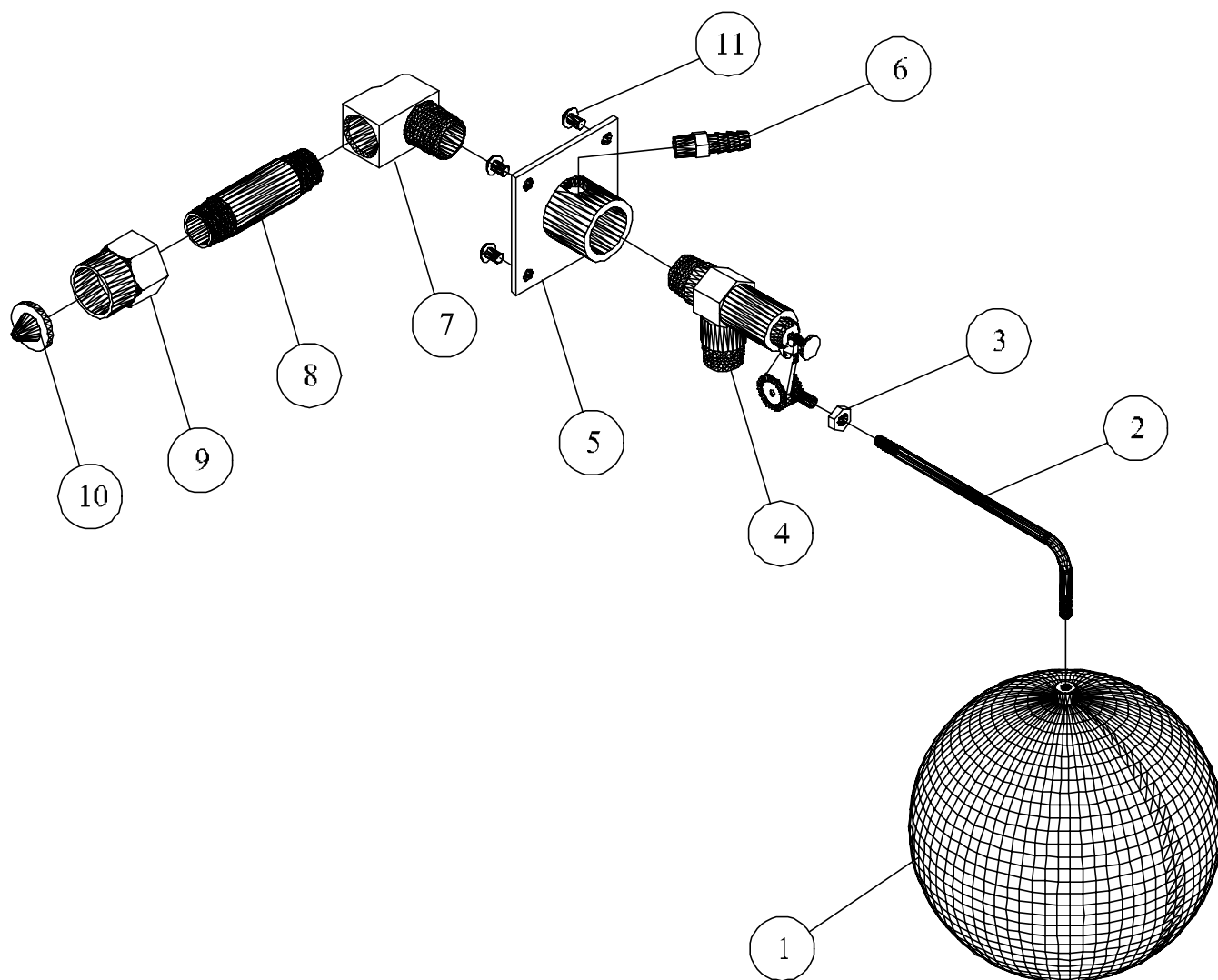
| ITEM NO. | QTY. | DESCRIPTION | PART NO. |
|----------|------|---|-------------|
| 1 | 1 | VALVE, SOLENOID, LP, 24VAC, 1-1/4" | JE 919-A LP |
| 2 | 1 | NIPPLE, STEEL, SCH 40, 1-1/4 NPT X 5-1/2 LONG | JD3074 |
| 3 | 1 | BUSHING, REDUCER, HEX, MI, 1-1/2" X 1-1/4" | JD3075 |
| 4 | 1 | COCK, VALVE, GAS, WITH HANDLE, 1-1/2" NPT | JP1496-A |
| 5 | 1 | BRACKET, MANIFOLD, HPW 1510 | JD8525 |
| 6 | 1 | NIPPLE, CLOSE, STEEL, SCH 40, 1-1/2"NPT | JD1243 |
| 7 | 1 | TEE, FEMALE, MI, 150#, 1-1/2" X 1-1/2" X 1/2 | JD3076 |
| 8 | 1 | BUSHING, REDUCER, HEX, BRASS, 1/2 X 1/8 | JD6243 |
| 9 | 1 | NIPPLE, CLOSE, STEEL, SCH 80, 1/8" NPT | JD2167 |
| 10 | 1 | REGULATOR, GAS, PILOT,LP,5.5-12",RV10,1/8" | JD6008-A |
| 11 | 1 | VALVE, PILOT, SHUTOFF, BRASS, 1/8 NPT M X1/4 TUBE | JP2510-05 |
| 12 | 1 | TUBING, ALUMINUM, 1/4 O.D. X .032 WALL | JD1820 |
| 13 | 2 | CONNECTOR, MALE, COMPRESSION, BRASS, 1/4TBX1/8 | JD3780-A |
| 14 | 2 | BUSHING, REDUCER, HEX, BRASS, 3/8 X 1/8 | JD3092 |
| 15 | 1 | VALVE, SOLENOID, GAS, 24V, 3/8 NPT | JP3731-B |
| 16 | 1 | PLUG, SOCKET, HEX, BRASS, 1/8 NPT | JD7243 |
| 17 | 2 | NIPPLE, STEEL, SCH 40, 1/4 NPT X 2" LONG | JD1414 |
| 18 | 1 | REGULATOR,GAS,PSI,LP,5"-12"WC,1-1/4 NPTF | JD3077-A |
| 19 | 1 | NIPPLE, CLOSE, STEEL, SCH 40, 1-1/4 NPT | JE 886 |
| 20 | 1 | ELBOW,FEMALE,MI,150#,1-1/4 X 1-1/4 | JE 888 |

FIGURE 1-4B(Control, Burner, Lp Gas Inlet, JD7886, 1510-C)



| ITEM NO. | QTY. | DESCRIPTION | PART NO. |
|----------|------|---|-----------|
| 1 | 1 | TANK, FLOAT, SS,LARGE,BOLT-ON, GES | JD8524 |
| 2 | 1 | STRAINER,WATER,SS,30 MESH,25/32 O.D.X3-1/8 LG | JD3843 |
| 3 | 1 | PLUG, TRISURE, STAINLESS, STL, 3/4 | JD1339-01 |
| 4 | 2 | BARB, HOSE, MALE, BRASS, 3/4 HS X 3/4 NPT | JD3855 |
| 5 | 1 | ELBOW, STREET, BRASS, 3/4" NPT | JD7988 |
| 6 | 1 | SPUD, HOSE, BRASS, 5/8 X 3/4 NPT | JP6595 |

FIGURE 1-5 (Float, Tank, Fitting, JD8524, 1510-C Ass'y)



| ITEM NO. | QTY. | DESCRIPTION | PART NO. |
|----------|------|--|-----------|
| 1 | 1 | BALL, FLOAT, COPPER, 6"O.D. | JD2476 |
| 2 | 1 | ROD, FLOAT, BENT, BRASS, 1/4 X 5-5/8LONG | JD1416-02 |
| 3 | 1 | NUT, HEX, STEEL, PLATED, 1/4-20 | JD 791 |
| 4 | 1 | VALVE, FLOAT, BRASS, 60PSI, 3/4NPT | JD3013 |
| 5 | 1 | ADAPTER, INLET, WATER, SS, 3/4", GES | JD8517-A |
| 6 | 1 | BARB, HOSE, MALE, BRASS, 1/4HS X 1/8NPT | JD6132 |
| 7 | 1 | ELBOW, STREET, BRASS, 3/4" NPT | JD7988 |
| 8 | 1 | NIPPLE, BRASS, SCH40, 3/4 NPT X 3" LONG | JD7987 |
| 9 | 1 | CONNECTOR, BRASS, 3/4 GARDEN, HOSE, X 3/4 NPT | JD7142-B |
| 10 | 1 | WASHER, STRAINER, MESH, WIRE, BRASS, #30 | JD 809 |
| 11 | 4 | SCREW, SELF, DRL, HEX, WASHER, PLTD, 10-32 X 1/2 | JD6219 |

FIGURE 1-6 (Valve, Float, Fitting, JD8524, 1510-C, Ass'y)

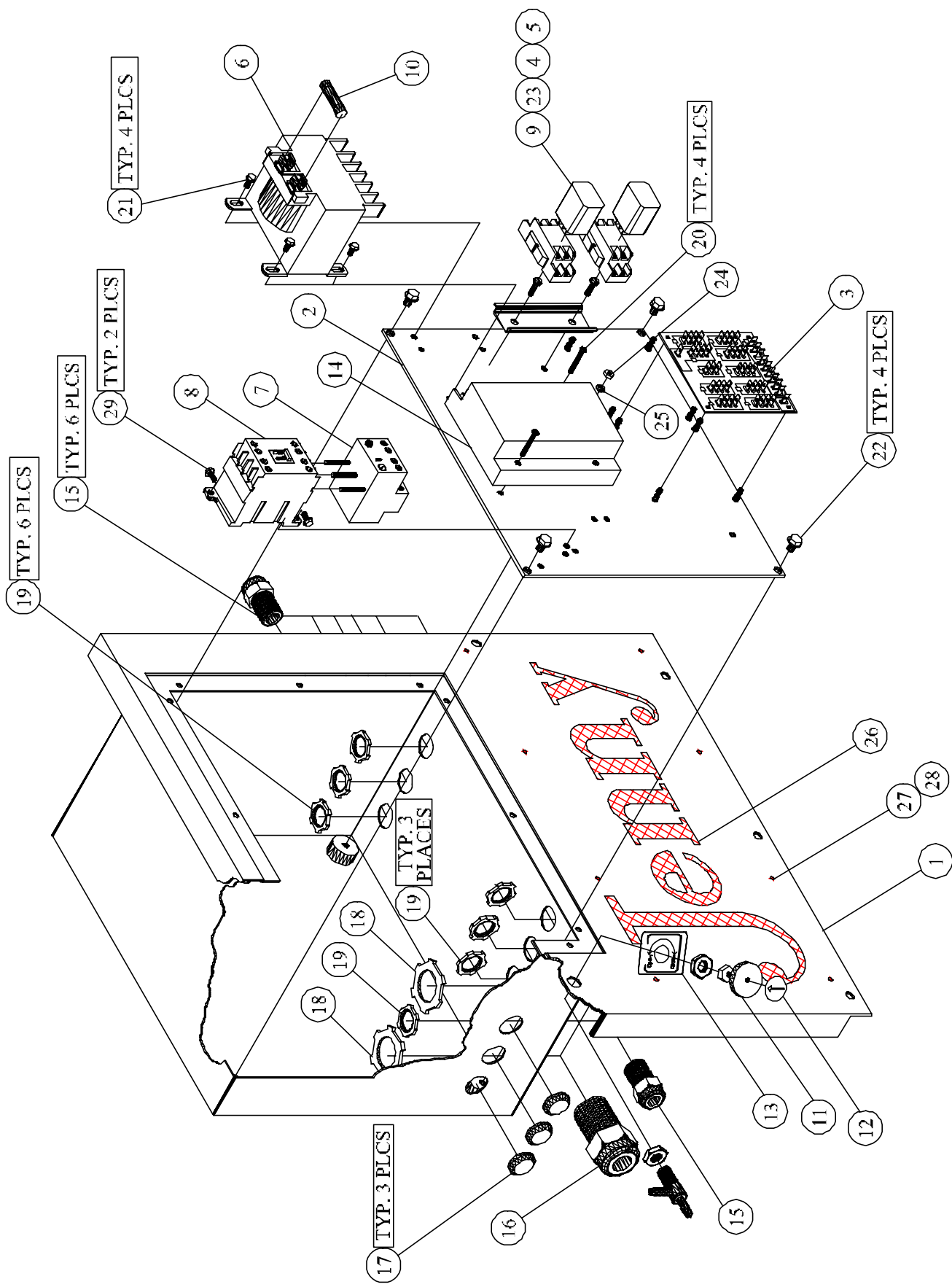
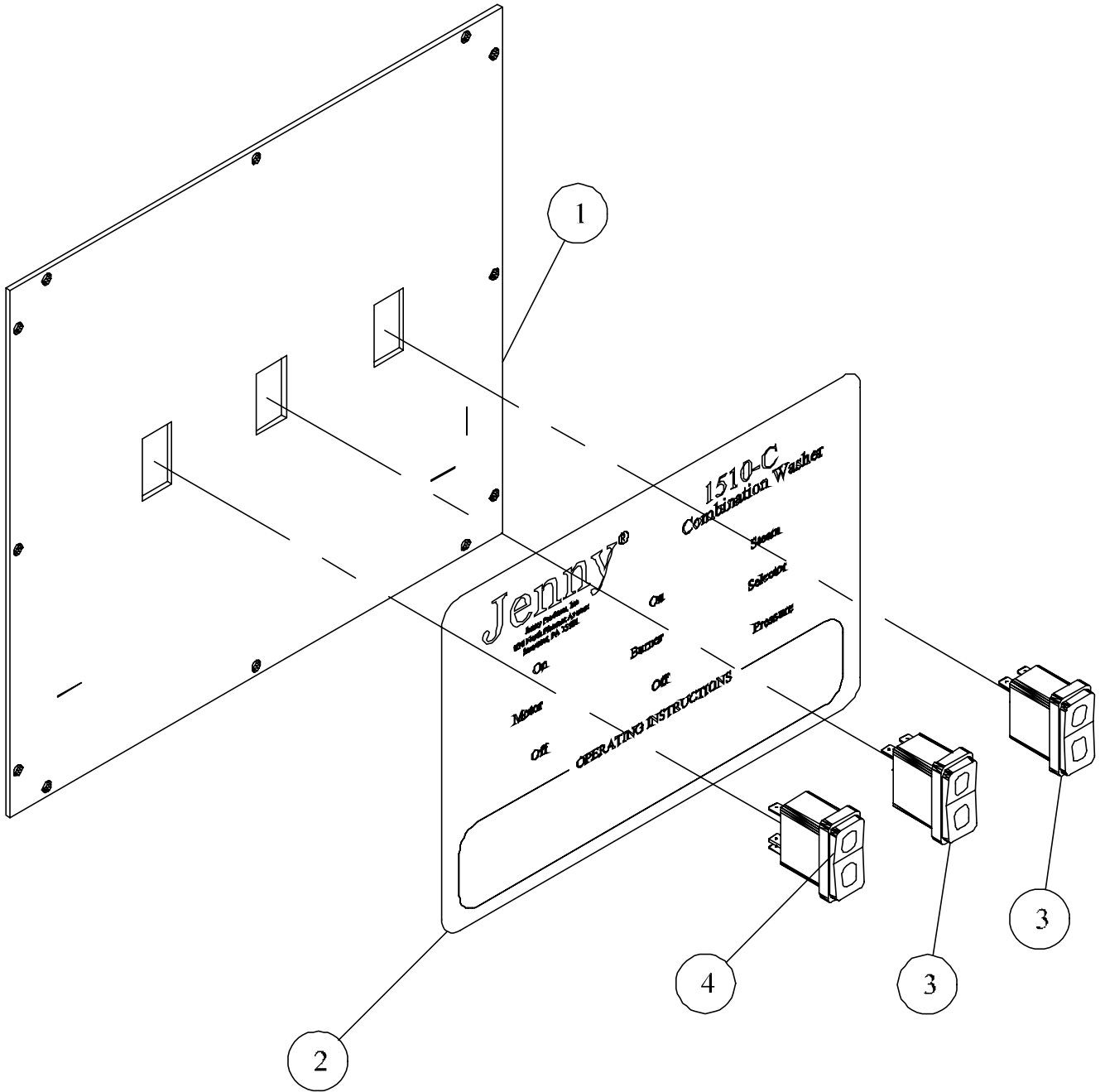


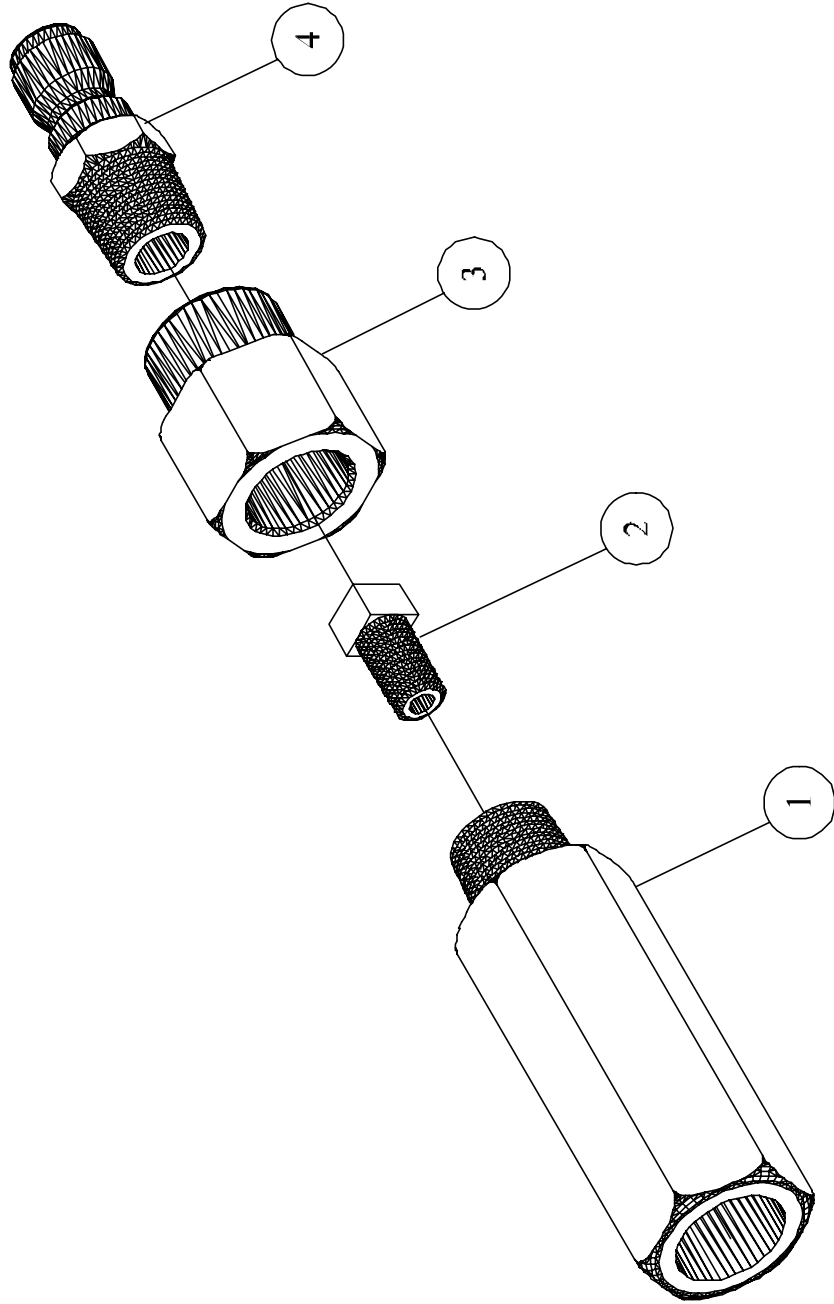
FIGURE 1-7 (Box, Junction, Panel, Front, 230V-460/3,12-37A,Ges, 1510-C Ass'y, JE2011)

| ITEM NO. | DESCRIPTION | QTY. | PART NO. |
|----------|--|------|-----------|
| 1 | PANEL, CONTROL, BOX, JUNCTION, STL, PNTD, CMB | 1 | JD8511 |
| 2 | PLATE, MOUNTING, PANEL, CONT, BOX, JCT, ST, CMB | 1 | JD8512 |
| 3 | BOARD, CIRCUIT, PRINTED, ALL MACHINES | 1 | JB5000 |
| 4 | BASE, RELAY, DP | 2 | JD7819-A |
| 5 | RELAY, DP, DT, 24VAC | 2 | JD7819 |
| 6-A | TRANSFORMER, CTRL, OPN, 100VA, 120-460VP, 24VS | 1 | JD2868 |
| 6-B | TRANSFORMER, CTRL, OPN, 100VA, 240-480VP, 24VS, 575V | 1 | JD3987-13 |
| 7-A | RELAY, OVERLOAD, PLUG-IN, 12-37 AMPS (230/460V) (BEFORE 5-1-01) | 1 | JD7651-20 |
| 7-B | RELAY, OVERLOAD, THERMAL, PLUG-IN, 10-14 AMPS (575V) (BEFORE 5-1-01) | 1 | JD7651-12 |
| 7-C | RELAY, OVERLOAD, THERMAL, PLUG-IN, 18-30A (AFTER 5-1-01) | 1 | JD7651-36 |
| 7-D | RELAY, OVERLOAD, THERMAL, PLUG-IN, 18-30A (AFTER 5-1-01) | 1 | JD7651-34 |
| 8-A | STARTER, DP, OP, 3P, 50A, 24V, CA7-SERIES (230/460V) (BEFORE 5-1-01) | 1 | JD7651-R |
| 8-B | STARTER, DP, OP, 3P, 30A, 24V, W/AUX CONTACT (575V) (BEFORE 5-1-01) | 1 | JD7651-B |
| 8-C | STARTER, DP, OP, 3P, 50A, 24V, CA7-SERIES (AFTER 5-1-01) | 1 | JD7651-V |
| 9 | RAIL, DIN, STL, PLTD, TAIL, DOVE, 1 3/8X5/16 | 0.16 | JD7768-A |
| 10 | FUSE, ELEMENT, DUAL, DELAY, TIME, 250V, 6AMP | 1 | JD3107-11 |
| 11 | VALVE, NEEDLE, SOLUTION, BRASS, 1/4IDHS-BARB | 1 | JD6248-A |
| 12 | DECAL, INDICATOR, HANDLE, VAL | 1 | JD7143 |
| 13 | DECAL, SOLUTION, METERING, VALVE | 1 | JD7821 |
| 14 | CONTROL, IGNITION, UNIT, LOCKOUT, SP745 | 1 | JP7694-A |
| 15 | CONNECTOR, RELIEF, STRAIN, 1/4-3/8, 1/2 NPTM | 6 | JD1687-06 |
| 16 | CONNECTOR, RELIEF, STRAIN, .700-.950, 1NPTM | 2 | JD1687-19 |
| 17 | PLUG, HOLE, PLASTIC, BLACK, 7/8" | 3 | JD3856 |
| 18 | NUT, LOCK, CONDUIT, STEEL, PLTD, 1" | 2 | JD3739 |
| 19 | NUT, LOCK, CONDUIT, STEEL, PLTD, 1/2" | 6 | JP 809 |
| 20 | SCREW, MACHINE, PHILLIP | 2 | JD838 |
| 21 | SCREW, FLANGE, HEX, SERR, ST, PL, 8-32x3/8 | 4 | JD7901-B |
| 22 | SCREW, FLANGE, HEX, SERR, ST, PL, 1/4-20X3/8 | 4 | JD7904 |
| 23 | SCREW, SLF DRL, HEX WASHER, PLTD, #10x5/8 | 1 | JD7074-A |
| 24 | NUT, HEX, STEEL, PLTD, 10-32 | 1 | JD 781 |
| 25 | WASHER, LOCK, SPLIT, STEEL, PLATED, #10 | 1 | JD 624 |
| 26 | SCREEN, COVER, MACHINE, ST, PAINTED | 1 | JP7720-01 |
| 27 | RIVET, AL, .160-.164 HOLE, .063-.125 GRP, 5/32 | 8 | JP7720-02 |
| 28 | WASHER, FLAT, HEX, SS, 3/4 O.D. X 5/32 I.D. X 20 GA. | 8 | JP7720-03 |
| 29 | SCREW, FLANGE, HEX, SERR, ST, 8-32 X 5/8 | 2 | JD7901-D |



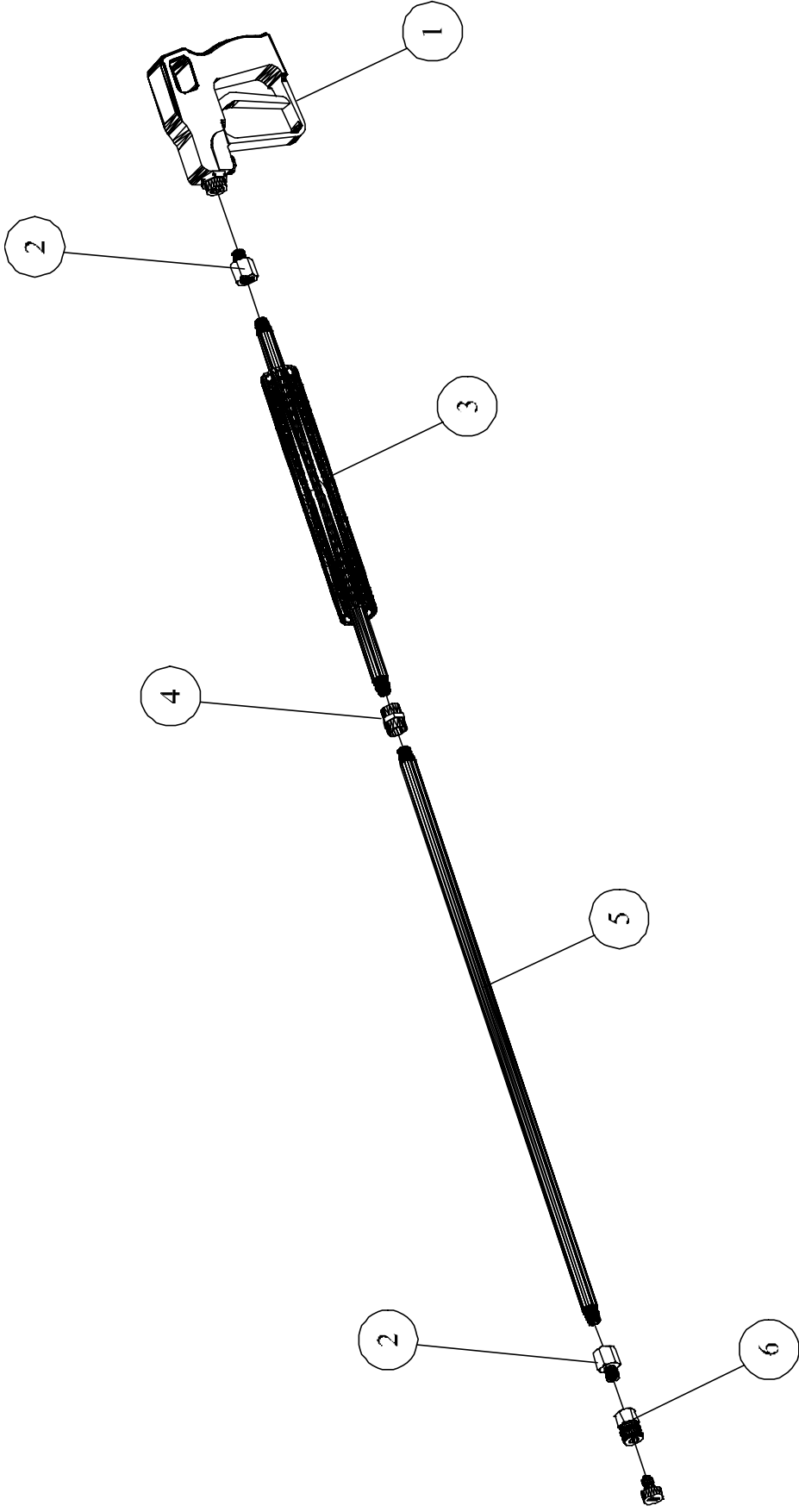
| ITEM NO. | QTY. | DESCRIPTION | PART NO. |
|----------|------|---|----------|
| 1 | 1 | PLATE, COVER, PANEL, CONT, BOX, JUNC., CMB, GES | JD8514 |
| 2 | 1 | DECAL, PANEL, INSTRUCTION, 1510-C, GES | JD8424 |
| 3 | 2 | SWITCH, ROCKER, SP, ST, 10A, 24V, LED, LIGHT | JE1004 |
| 4 | 1 | SWITCH, ROCKER, DP, DT, OFF-ON-MOM-10A, 24V | JE1006 |

FIGURE 1-8 (Panel, Instruction, JD8514,1510-C, Ass'y)



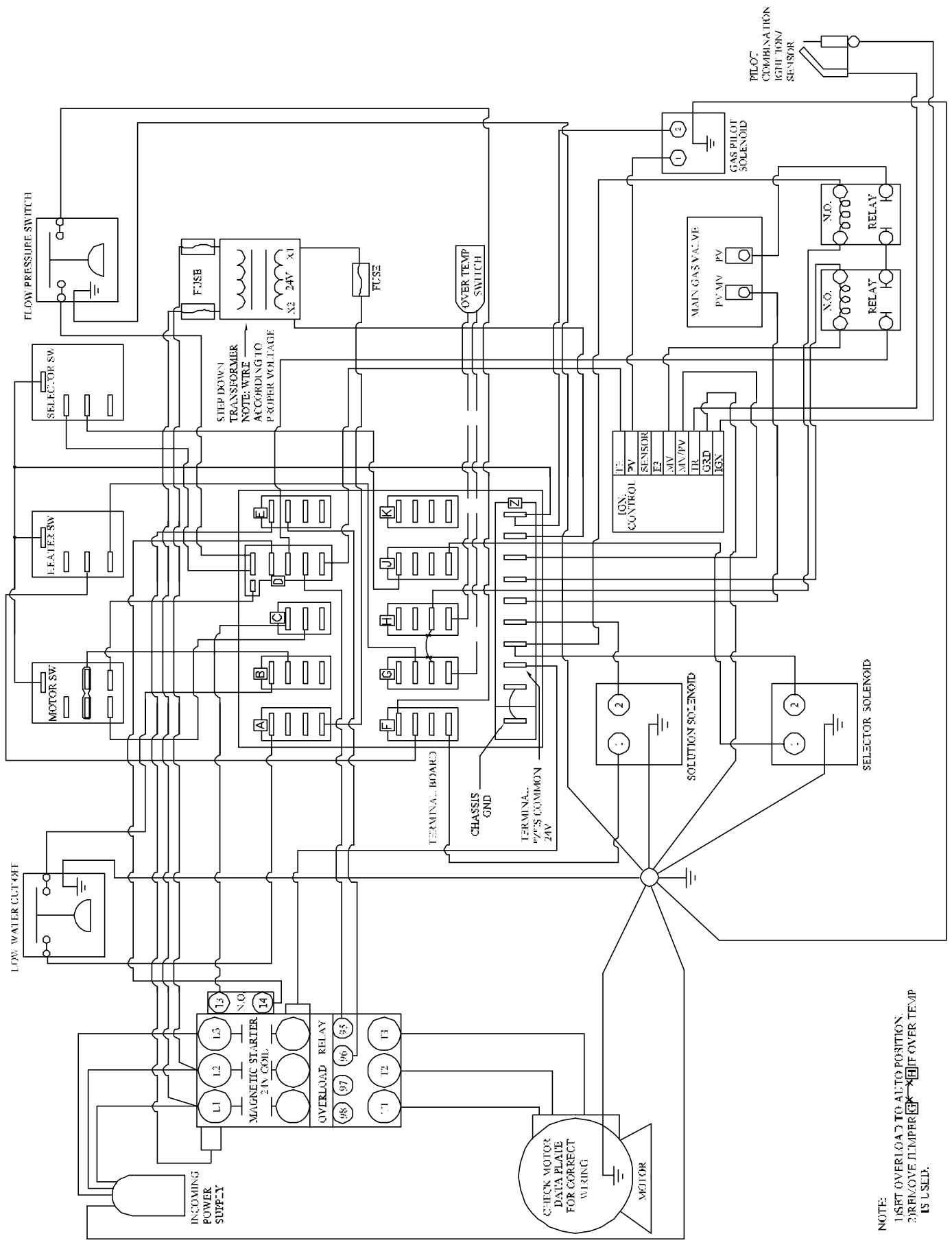
| ITEM NO. | QTY. | DESCRIPTION | PART NO. |
|----------|------|--|-----------|
| 1 | 1 | NOZZLE, STEAM, 3/4 HEX, STEEL, PLATED, 3/8 X 3/8 | JP2735-B |
| 2 | 1 | ORIFICE, STEAM, SS, #29 | JP3175-01 |
| 3 | 1 | COUPLING, HEX, BRASS, 3/8NPTF X 1/4 NPTF | JD 920-01 |
| 4 | 1 | PLUG QUICK, COUPLING, BRASS, 1/4" NPTM | JD3103-04 |

FIGURE 1-9 (NOZZLE, STEAM, COMBINATION, FITTING, 1510-C, ASSY)



| ITEM NO. | QTY. | DESCRIPTION | PART NO. |
|----------|------|--|-----------|
| 1 | 1 | GUN, TRIGGER, 3650PSI, 10.5 GPM, 320F | JD7401-B |
| 2 | 2 | ADAPTER, EXPANDING, STEEL, PLATED, 1/4M X 3/8F | JD6224 |
| 3 | 1 | HANDLE, PERFORATED, SCH80, STEEL, ASSY, 3/8 | JE 280-E |
| 4 | 1 | COUPLING, HEX, STEEL, PLATED, 3/8NPT X 3/8NPT | JD 907-04 |
| 5 | 1 | NIPPLE, STEEL, SCH80, 3/8NPT X 28 LONG | JD 963 |
| 6 | 1 | SOCKET, QUICK, COUPLING, BRASS, 1/4M X 3/8F | JD3102-02 |

FIGURE 1-10(GUN, SCH80, 10.5 GPM, N/C, W/O, SWIVEL, JP4261-I, ASSY, 3/8")



NOTE:
 1) SET OVERLOAD TO AUTO POSITION.
 2) REMOVE JUMPER IF OVER TEMP IS USED.

(Electrical Schematic Diagram) Gas, Comb, 3PH, W/Mom & Dual Relay File Name: JW_307